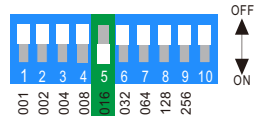




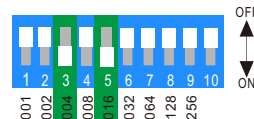
### How to set DMX address via DIP switch:

DMX address value = the total value of (1-9)  
to get the place value when in "on" position  
otherwise will be 0.

E.g. 1 : Set Initial Address to 16.

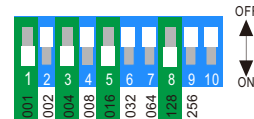


E.g. 2 : Set Initial Address to 20.



$$004 + 016 = 20$$

E.g. 3 : Set Initial Address to 149.



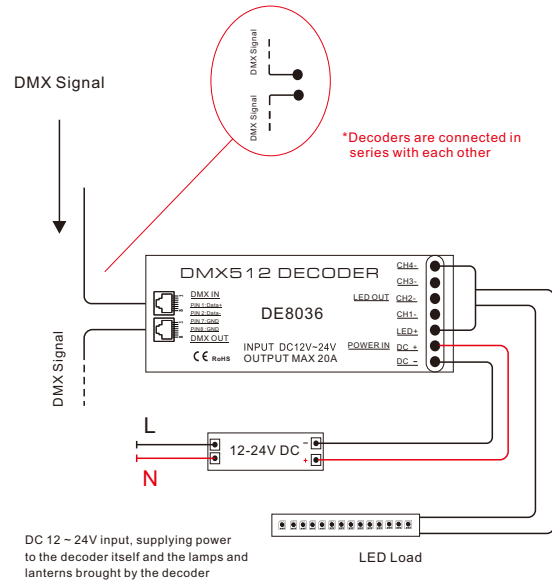
$$001 + 004 + 016 + 128 = 149$$

### DMX Dimming Instruction:

Each DE8036 DMX decoder occupied 4 DMX addresses when connecting the DMX console.  
E.g., the defaulted initial address is 1, please find their corresponding relationships in the form.

DMX Console	DMX Decoder
CH1 0-255	CH1 PWM 0-100% (LED R)
CH2 0-255	CH2 PWM 0-100% (LED G)
CH3 0-255	CH3 PWM 0-100% (LED B)
CH4 0-255	CH4 PWM 0-100% (LED W)

## Wiring Diagram



## Suitable lamps and lanterns

